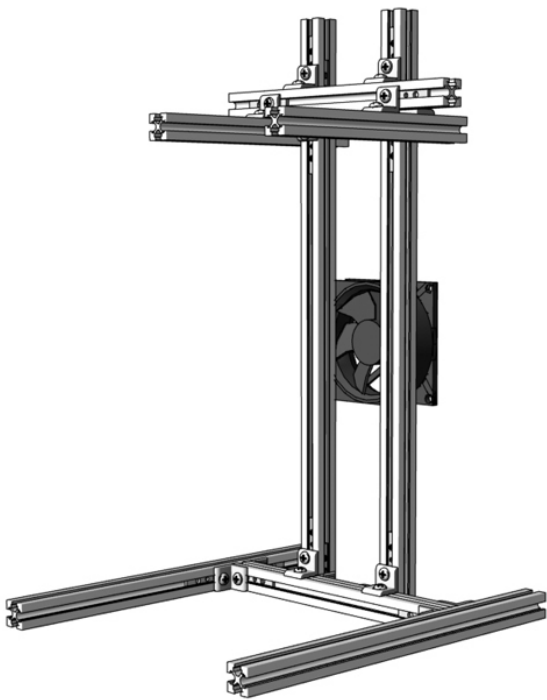
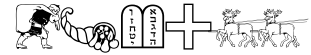






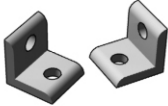



# Robot Hanger



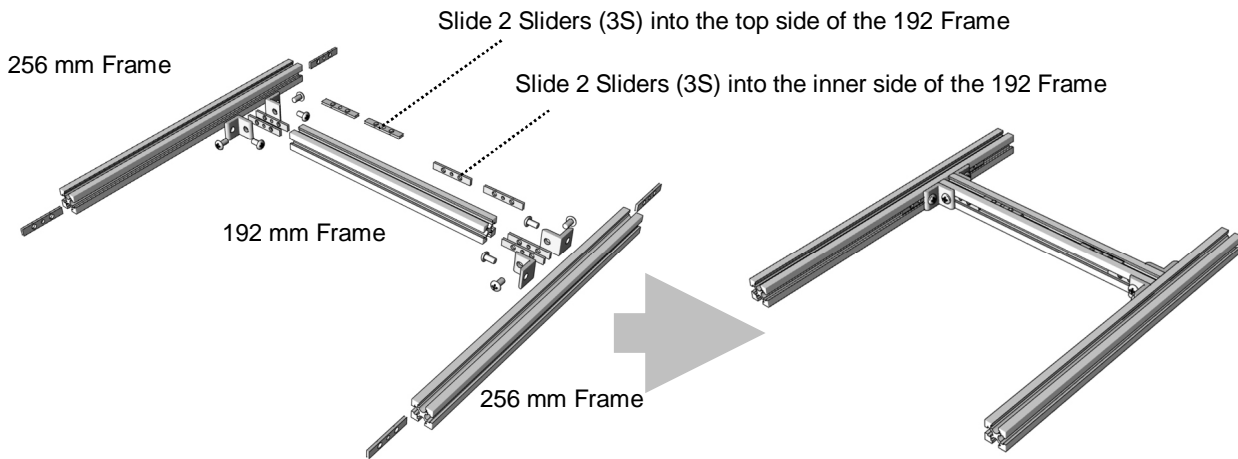
The following is a customized image using our manufactured fan.

Our separately sold 8 cm fan can be installed to Robot Hanger.

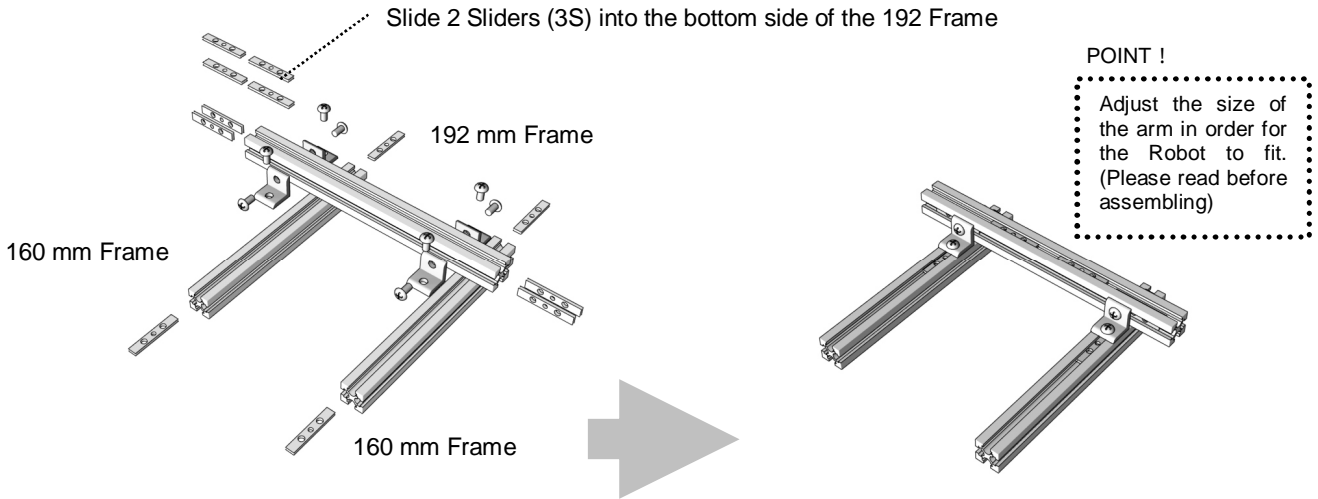
## 【 Parts List 】

			
<b>[ Aluminum Frame ]</b> LUBIC160 x 2 pieces	<b>[ Aluminum Frame ]</b> LUBIC192 x 2 pieces	<b>[ Aluminum Frame ]</b> LUBIC256 x 2 pieces	<b>[ Aluminum Frame ]</b> LUBIC384 x 2 pieces
			
<b>[ L Size Metal Fittings ]</b> L LUBIC-LP x 16 pieces	<b>[ Slider ]</b> LUBIC-3S x 40 pieces	<b>[ M4 Screw ]</b> LUBIC-SC8M4 x 40 pieces (length: 8 mm, diameter: 4 mm)	<b>[Rubber Foot Holder ]</b> LUBIC-RF x 4 pieces

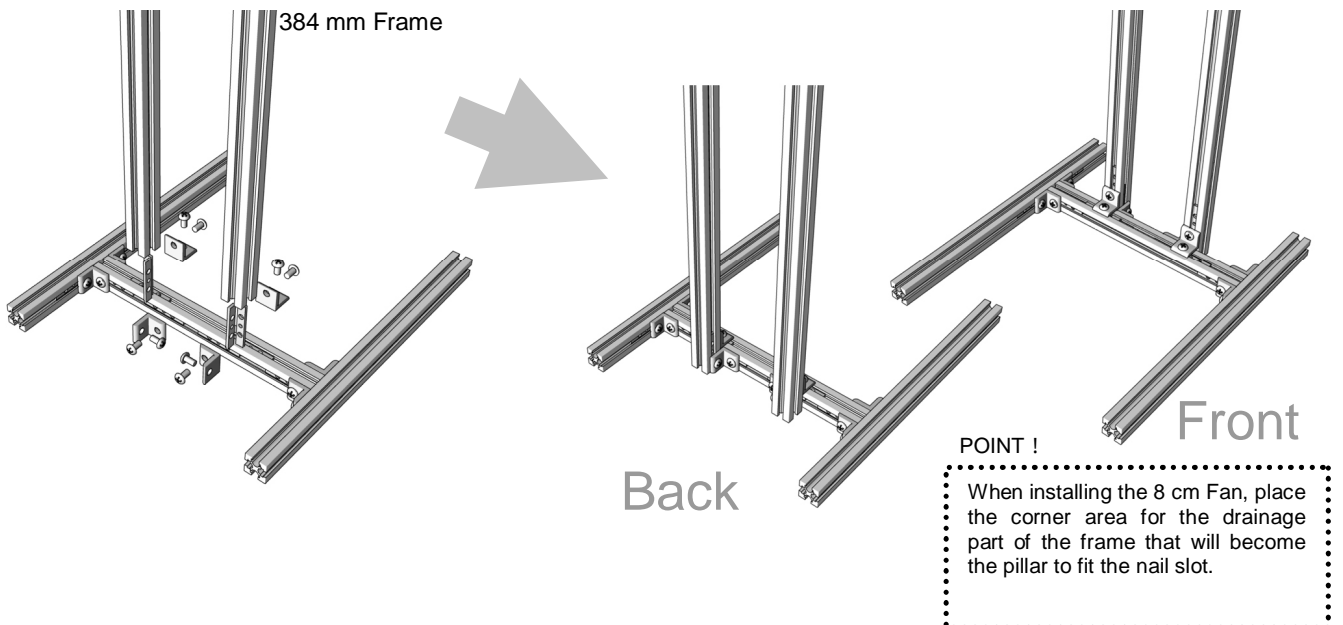
# 1. Assembling the Platform



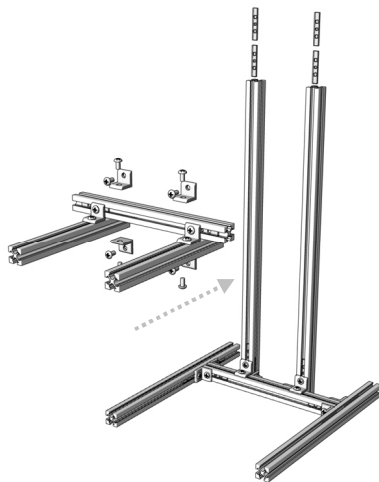
# 2. Assembling the Arm



# 3. Attaching the Pillars on the Platform

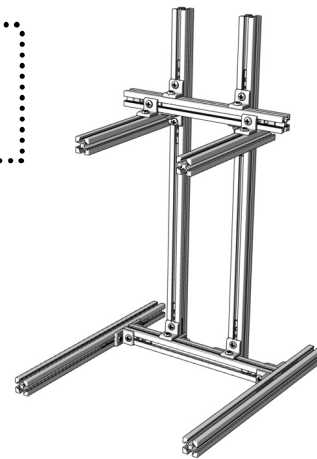
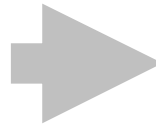


## 4. Installing the Arm



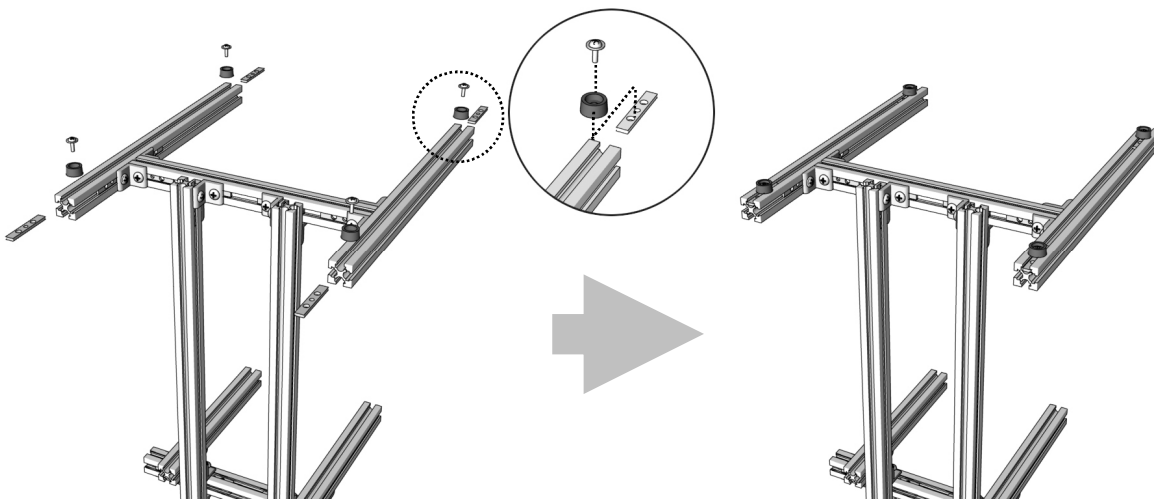
POINT !

Adjust the Arm's height  
in order for the Robot to  
fit. (Please read before  
assembling)

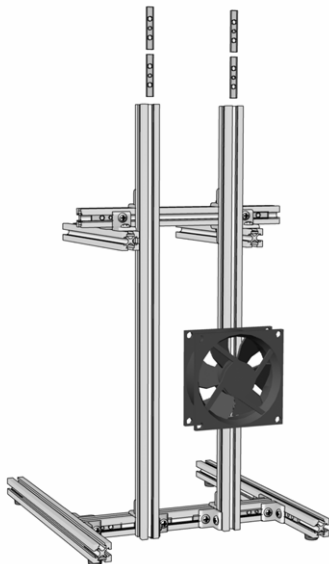


## 5. Attaching Rubber Feet

Drill the Slider (3S) into the hole at the center of the rubber foot.



## Appendix: Installing the Fan



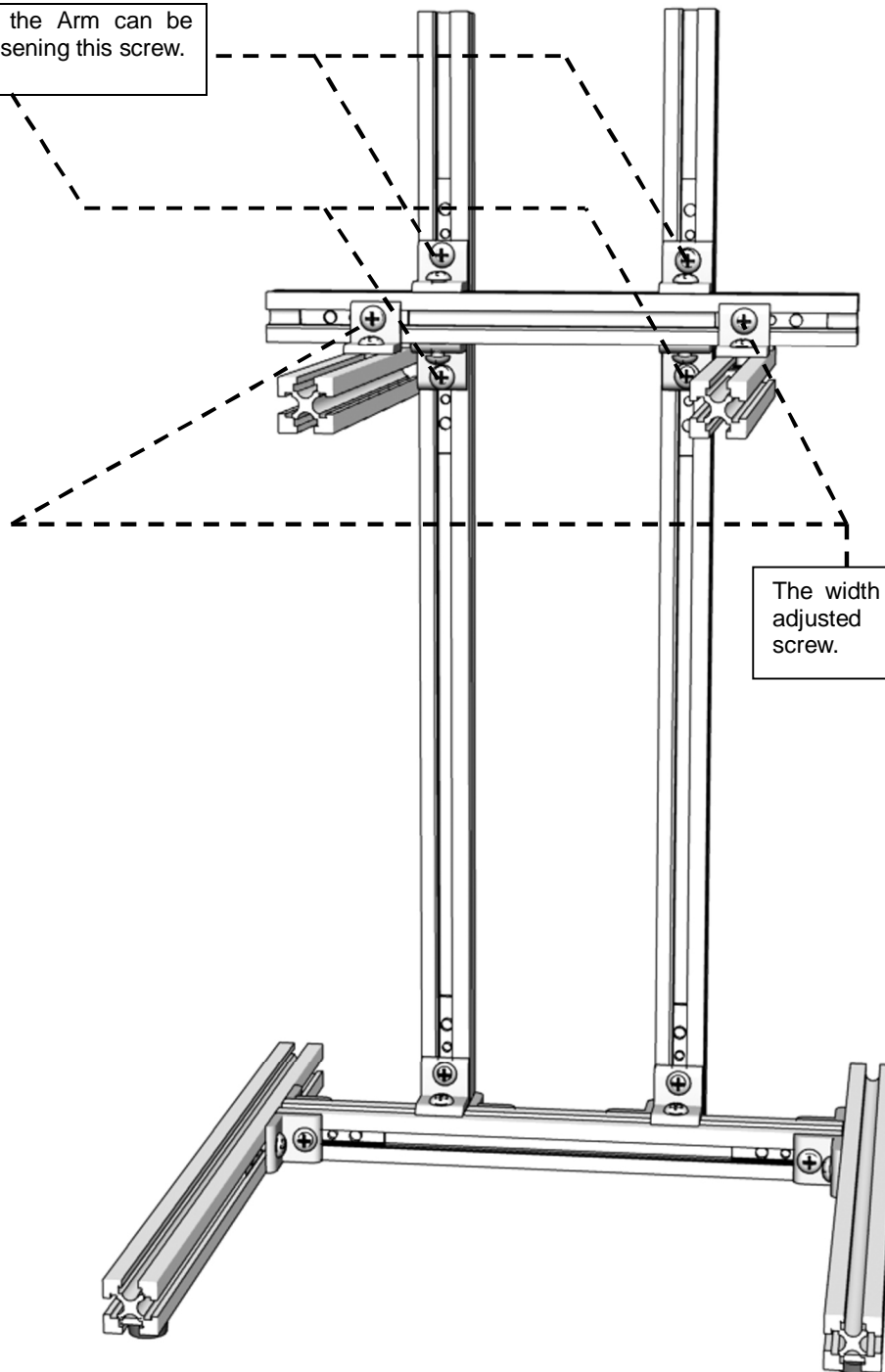
Drill 2 Sliders (3S) into the back of the pillar. Attach the 8cm FAN to the height of your choice.

Place / adjust the fan to a position where it is able to cool off.

\* In the case of Fans without ribs, the Fan can be easily installed with SC8M4 screws.

## Appendix: Adjusting the Arm

The height of the Arm can be adjusted by loosening this screw.



The width of the Arm can be adjusted by loosening this screw.

### [ For further inquiries on our products: ]

For further inquiries on our products:  
Kairen Company Limited  
11-1 Miyukicho, Tokorozawa, Saitama 359-1115, JAPAN  
E-mail: [support@lubic.jp](mailto:support@lubic.jp)  
Portal Website: <http://www.telegnosis.jp>  
Official Website: <http://www.lubic.jp>

Contents Check  
Seal/Signature